



8-Inch FCM Optical Distribution Frame



- Introduction 54
- Things to Consider When Ordering..... 55
- Fiber Main Distributing Frame (Rear Load) 57
- Preterminated Fiber Termination Panels with Multifiber Cable-IFC 58
- Adapter-Only Fiber Termination Panels..... 59
- Splice Panels 61
- Slack Storage Solutions..... 62
- Fiber Storage Disk (FSD) Panel..... 62
- Cable Management Tray (CMT) Storage Panel 63
- Value-Added Module (VAM) Chassis..... 64
- Interbay Management Panel 65
- Fiber Optic Terminal Storage Panel (Rear Facing)..... 66
- End Guard 66
- Guard Box (Under Floor)..... 67
- Frame Installation Kit..... 68
- Horizontal Cable Trough..... 70
- Cover Kit for Lower Horizontal Cable Trough..... 70
- Frame Filler Plate..... 71
- AC Outlet Kit and Raceway 71
- Grounding Kit..... 72
- Communications Panel 73
- Vertical Cable Guide (VCG) Kit..... 74
- Blank Panel..... 74
- Cable Clamp Kit and Dual Cable Clamp Kit..... 75
- Assembled Splice Tray and Chip..... 76
- Splice Protector Sleeve 77
- Standard Cross-Connect Patch Cord Lengths..... 78
- Ordering Information for Patch Cords and Attenuators..... 78



8-Inch FCM Optical Distribution Frame

Introduction

Frame

ADC's 8-inch FCM solution utilizes a traditional frame designed to fit a variety of termination, splice and storage applications. This rear load frame is built to ensure commonality with patch cord routing, slack storage and fiber protection. It is shipped complete with enhanced front cable management, top and bottom troughs. Available accessories include interbay management panels (IMPs), rear slack storage, etc.



Termination Panel

The termination panel is available with multiple adapter types using angled retainers in configurations of 72, 96, 144 and higher and can be ordered with adapters only or preterminated with either intrafacility (IFC), outside plant (OSP) cables or pigtails for ease of installation.

Splice Panel

ADC's splice panel protects splices of multiple splice types.

Storage Panel

The 8-inch FCM storage panel stores patch cords discreetly or in bulk.

Value-Added Module (VAM) Chassis

Adding signal management and enhancement functions, such as splitters, couplers and wavelength division multiplexers, optimizes the value of your fiber network, by providing nonintrusive access to the optical signal for monitoring and testing signal integrity. ADC's 8-inch FCM VAM chassis accommodates various splitter and WDM modules.

Product Overview

Recommended applications	Small to medium fiber count applications. Best cable management solution in traditional ODF.
Description	Traditional footprint; 72-, 96- and 144-position panels
Number of fibers, future growth potential	Up to 5,000
Interconnect	Good
Cross-connect	Excellent
Accommodates on-frame splicing	Very good
Accommodates off-frame splicing	Very good
Rear access	Required. Has excellent rear cable management
Density – terminations per frame	1,152 terminations per frame
Front access to rear connector	Yes
VAM capabilities	Yes. Separate panel required
Slack storage location	IMP. Positive bend radius protection
Connector access	Angled retainer



8-Inch FCM Optical Distribution Frame

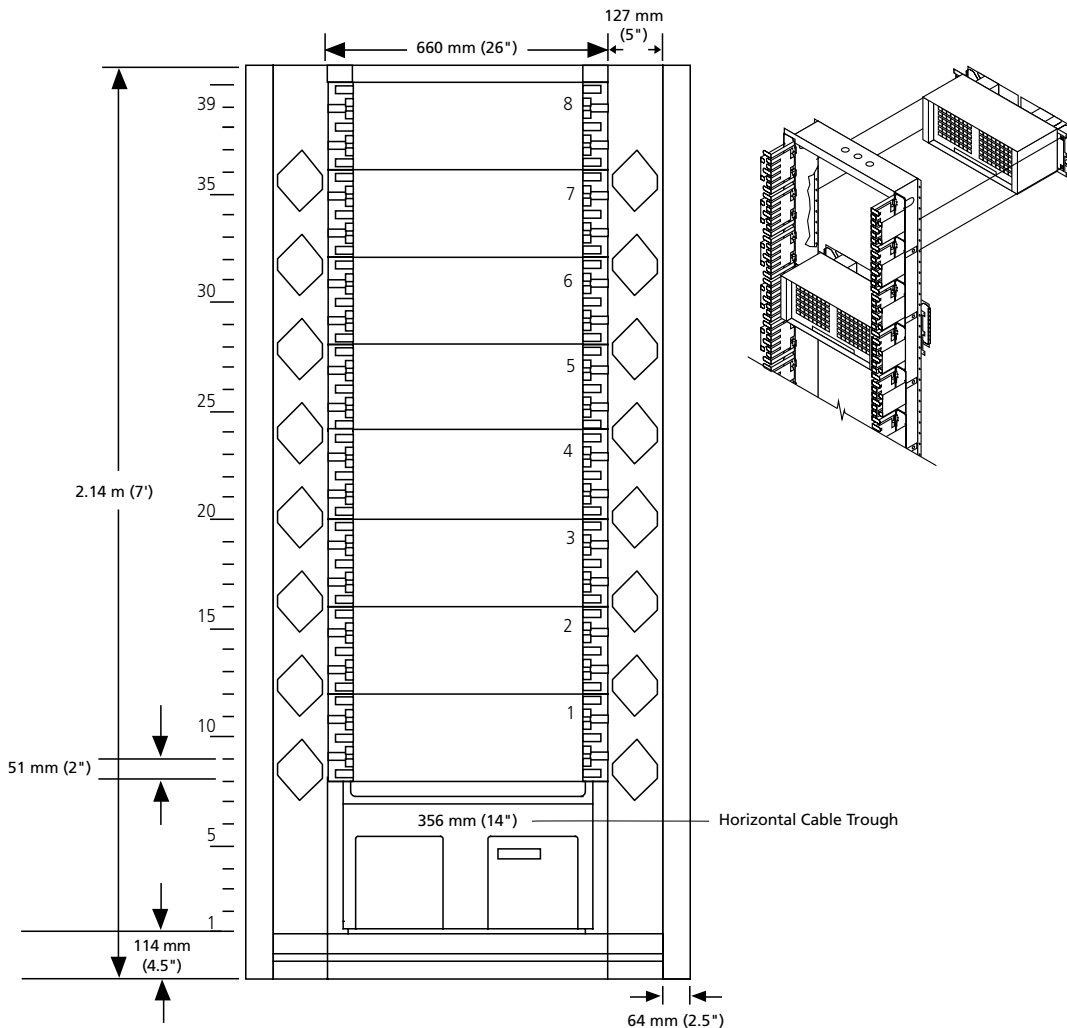
Things to Consider When Ordering

Configuration Form

This page **may be copied and used to configure** this rear load frame.* The configuration drawing may **then be attached to an order.**

- Rear load frames are typically used in cross-connect applications in which splicing is done in the vault or a designated off-frame splice area
- Interbay management panels and end guards shown here are ordered and shipped separately
- Preterminated rear load panels are shipped separately from the frame
- 14-inch lower troughs are recommended for most applications; however, other lower troughs are available, see page 70

5 / 0 7 • 1 0 3 7 4 2 A E Optical Distribution Frames



*Legacy front load panels and accessories remain available. Please contact ADC Technical Assistance Center for ordering information.

Traditional Frame Solutions



8-Inch FCM Optical Distribution Frame

Things to Consider When Ordering

How To Order

This page may be copied and used to configure this rear load frame. The configuration drawing on the previous page may then be attached to an order.

Main Components of the 8-Inch FCM Frame

	Catalog Number	Quantity
1) Select desired Frame	_____	_____
- Fiber Main Distributing Frame (Rear Load) - Page 57	_____	_____
2) Select desired Fiber Termination Panels		
- Preterminated Fiber Termination Panel with Multifiber Cable-IFC - Page 58	_____	_____
- Adapter-Only Fiber Termination Panel - Pages 59–60	_____	_____
- Splice Panel - Page 61	_____	_____
3) Select desired Slack Storage Solution		
- Fiber Storage Disk (FSD) Panel - Page 62	_____	_____
- Cable Management Tray (CMT) Storage Panel - Page 63	_____	_____

Optional Equipment

4) Value-Added Module (VAM) Chassis - Page 64	_____	_____
5) Interbay Management Panel - Page 65	_____	_____
6) Fiber Optic Terminal Storage Panel (Rear Facing) - Page 66	_____	_____
7) End Guard - Page 66	_____	_____
8) Guard Box (Underfloor) - Page 67	_____	_____
9) Frame Installation Kit - Pages 68–69	_____	_____
10) Horizontal Cable Trough - Page 70	_____	_____
11) Cover Kit for Lower Horizontal Cable Trough - Page 70	_____	_____
12) Frame Filler Plate - Page 71	_____	_____
13) AC Outlet Kit and Raceway - Page 71	_____	_____
14) Grounding Kit - Page 72	_____	_____
15) Communications Panel - Page 73	_____	_____
16) Vertical Cable Guide (VCG) Kit - Page 74	_____	_____
17) Blank Panel - Page 74	_____	_____
18) Cable Clamp Kit and Dual Cable Clamp Kit - Page 75	_____	_____
19) Assembled Splice Tray and Chip - Page 76	_____	_____
20) Splice Protector Sleeve - Page 77	_____	_____
21) Patch Cord - Pages 122–126*	_____	_____
22) In-Line Attenuator - Page 127	_____	_____

*See page 78 for standard cross-connect patch cord lengths.



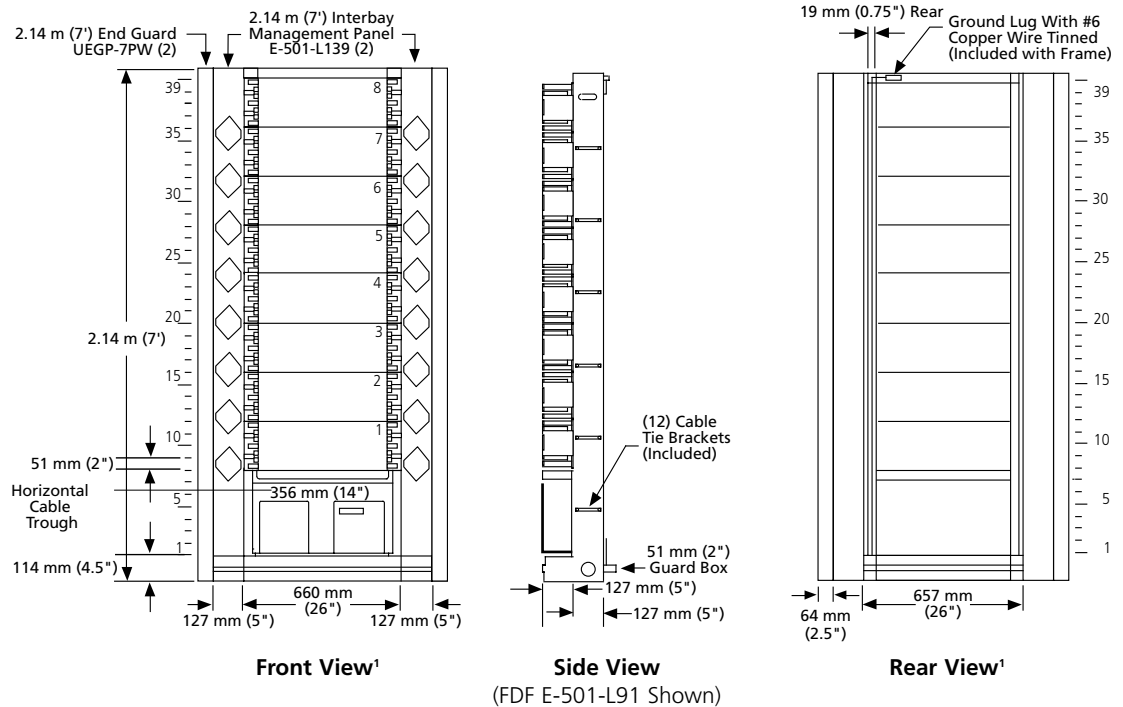
8-Inch FCM Optical Distribution Frame

Fiber Main Distributing Frame (Rear Load)

Rear load frames* are recommended for applications when splicing is done in the vault or at an off-frame splice area. One rear load frame can accommodate up to eight 8-inch panels. A 7-foot frame supports up to 1,152 terminations. Rear load FCMs come equipped with unequal flange network type 4.5-inch guard box frame, 14-inch lower horizontal cable trough, front vertical cable guides, ground wire kit, cable tie brackets, rear fanning triangles and 8-inch rear doors.

Optical Distribution Frames

5/07 • 103742AE



¹Interbay management panels and end guards shown are for reference only. They are ordered separately; see page 65 for ordering information.

Ordering Information

Description	Dimensions (HxWxD)	Catalog Number
8-inch FCM fiber main distributing frame Network style unequal flange rear load frame with 356 mm (14") trough 2.14 m (7')	2.14 m x 660 mm x 305 mm (7' x 26" x 12")	E-501-L91
2.76 m (9')	2.76 m x 660 mm x 305 mm (9' x 26" x 12")	E-501-L92
3.51 m (11.5')	3.51 m x 660 mm x 305 mm (11.5' x 26" x 12")	E-501-L93

For existing lineups with 6", 8" or 16" lower cable troughs, contact ADC Technical Assistance Center.

*Legacy front load panels and accessories remain available. Please contact ADC Technical Assistance Center for ordering information.

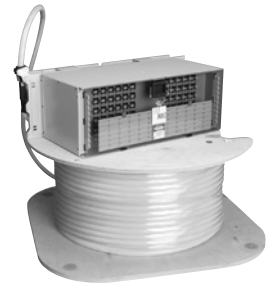
Traditional Frame Solutions



8-Inch FCM Optical Distribution Frame

Preterminated Fiber Termination Panels with Multifiber Cable – IFC

Preterminated 8" FCM rear load* panels are available with either indoor or outdoor rated cable in ribbon or stranded configurations. All panels are 100% factory tested to guarantee continuity and reliable connections. Panels with IFC attached ship as a single unit with the cable clamp factory installed. If a panel is custom ordered only partially loaded with cable, it is still completely loaded with adapters. An instruction kit describing installation procedures is included with the panel.



Catalog Number

Singlemode/Multimode

Leave blank	Singlemode
M	Multimode

Panel Type

6	72-position
7	96-position
2	144-position
T	144-position (for LC only)

Connector and Adapter Type #1

Singlemode	
7	SC ultra polish
L	SC angled polish
2	FC ultra polish
K	LC ultra polish (144 only)
M	LC angled polish (144 only)
Multimode	
9	SC
P	LC (144 only)

Connector or Adapter Type #2

Singlemode	
0	No connector/stub end
7	SC ultra polish
L	SC angled polish
2	FC ultra polish
K	LC ultra polish (144 only)
M	LC angled polish (144 only)
Multimode	
0	No connector/stub end
9	SC
P	LC (144 only)

Cable Length¹

Standard Single-Ended	
016	16 m (50')
023	23 m (75')
031	31 m (100')
046	46 m (150')
061	61 m (200')
077	77 m (250')
092	92 m (300')
122	122 m (400')
153	153 m (500')
Non-Standard	
Use XXX for length in meters	

Cable Type (IFC Riser)

Singlemode	
ZB	72-fiber stranded
DS	72-fiber ribbon
ZC	96-fiber stranded
LA	96-fiber ribbon
ZD	144-fiber stranded
LH	144-fiber ribbon
Multimode (62.5/125 μm)	
VB	72-fiber stranded
LB	96-fiber stranded

¹ Panels using ADC's standard cable offering have a shorter lead time than panels using a specific cable manufacturer. ADC only provides GR-409 compliant cable that meets or exceeds our high quality standards. Standard cable offerings include Alcatel, Corning, Bertek, Sumitomo and Pirelli.

*Legacy front load panels and accessories remain available. Please contact ADC Technical Assistance Center for ordering information.

Other configurations are available upon request. Please contact ADC Technical Assistance Center.



8-Inch FCM Optical Distribution Frame

Adapter-Only Fiber Termination Panels

5/07 • 103742AE Optical Distribution Frames

This panel is designed to be mounted in an ADC rear load* frame equipped with cable management hardware. An accessory mounting kit is required when installing a rear load panel into a 23-inch WECO drilled, unequal flange frame (industry-standard front load frame). Please see page 69 to order this mounting kit. All rear load panels come with rear doors and cable management attached. The FCM panel contains removable angled retainers; angled toward left and right side, ensuring minimum bend radius. Angled retainers are designed for easy removal without use of tool; allowing easy access to back of the adapter/receptacle from the front of the frame. Fanning strips provide organization and cable management at point of entry to the panel. The removable transparent, smoked plastic cover encloses the front of panel while protecting fibers and connectors from disturbance. The designation card identifies each cable and is visible when cover is open or closed.

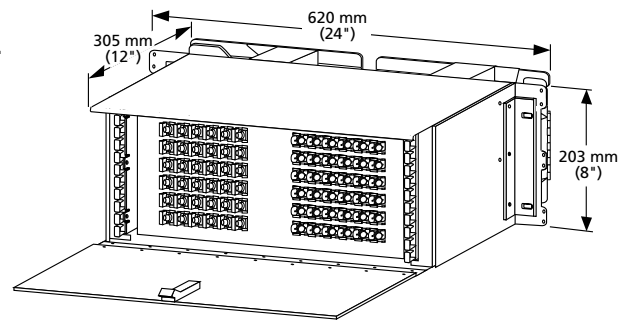
Ordering information appears on following page.



144-Position Panel
(Front View)



144-Position Panel
(Rear View)



72-Position Termination Panel

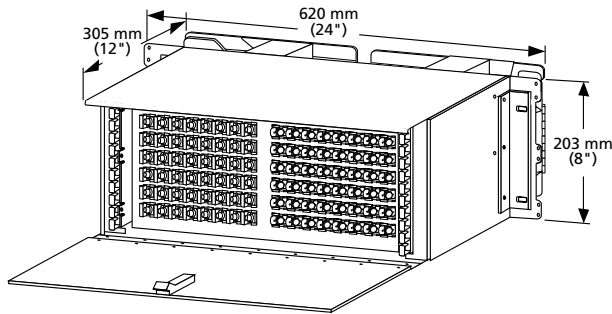
*Legacy front load panels and accessories remain available. Please contact ADC Technical Assistance Center for ordering information.

Traditional Frame Solutions



8-Inch FCM Optical Distribution Frame

Adapter-Only Fiber Termination Panels



96-Position Adapter-Only Termination Panel

Ordering Information

Number of Adapters	Adapter Type	Numbered	Catalog Number
72	Singlemode		
	SC ultra polish	Vertically	FCM-670000
	SC angled polish	Vertically	FCM-6L0000
	FC ultra polish	Vertically	FCM-620000
	LC ultra polish	Vertically	FCM-6K0000
	LC angled polish	Vertically	FCM-6M0000
	Multimode		
SC	Vertically	MFCM-69/0000	
LC	Vertically	MFCM-6P0000	
96	Singlemode		
	SC ultra polish	Vertically	FCM-770000
	SC angled polish	Vertically	FCM-7L0000
	FC ultra polish	Vertically	FCM-720000
	LC ultra polish	Vertically	FCM-7K0000
	LC angled polish	Vertically	FCM-7M0000
	Multimode		
SC	Vertically	MFCM-79/0000	
LC	Vertically	MFCM-7P0000	
144	Singlemode		
	SC ultra polish	Vertically	FCM-Z70000
	SC angled polish	Vertically	FCM-ZL0000
	LC ultra polish	Vertically	FCM-TK0000
	LC angled polish	Vertically	FCM-TM0000
	Multimode		
	SC	Vertically	MFCM-Z90000
LC	Vertically	MFCM-TP0000	

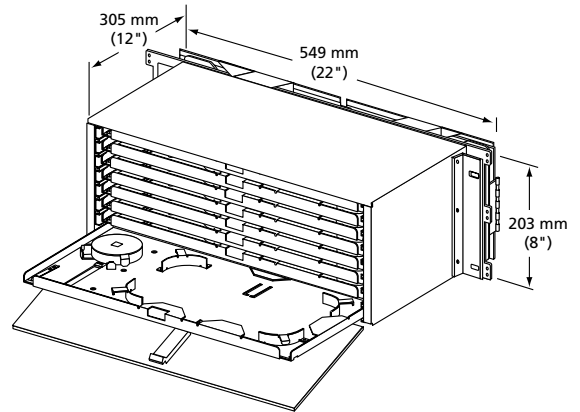


8-Inch FCM Optical Distribution Frame

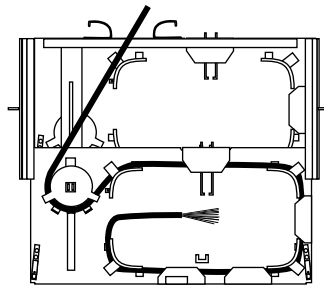
Splice Panels



Splice Panel



Splice Panel
(E-501-L18 Shown)



Splice Panel
Loaded with Pigtails
(Top View)

5/07 • 103742AE Optical Distribution Frames

Splice panels for rear load* frames include 8-inch rear doors and rear cable management. The eight splice drawers provide protective enclosure for mounting splice trays and coiling of the service loop, which is required for off-shelf splicing. Both outside plant (OSP) cable and fiber optic patch cords are terminated at the rear of the FCM, keeping them secure while routine maintenance is performed on the front of the FCM. Each splice drawer holds two 12-fiber single splice trays or one 24-fiber dual splice tray. Splice trays are available with all industry-standard splice chips. See page 76 for ordering information. Each drawer is designed to handle twenty-four 900 micron pigtails or twelve 3.0 mm pigtails. Designation labels are attached to the front of each drawer to identify its contents. The cover encloses the splice panel for protection from normal frame activity. Pigtails and OSP buffer tubes enter and exit through openings on the back of the panel. The splice tray with slack take-up wheel keeps constant tension on the fiber cable, preventing binding when the drawer is closed.

Ordering Information

Description	Dimensions (HxWxD)	Catalog Number
Splice panel for rear load frames	203 mm x 620 mm x 305 mm (8" x 24.4" x 12")	E-501-L18
Cable clamp	10 mm – 31 mm (0.4" – 1.2" outer diameter)	E-501-L40

Cable clamps must be ordered separately; please see page 75 for an additional cable clamp option.

*Legacy front load panels and accessories remain available. Please contact ADC Technical Assistance Center for ordering information.

Traditional Frame Solutions

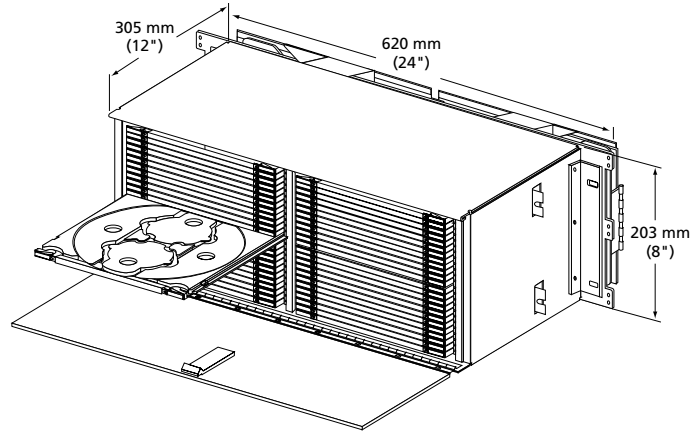


8-Inch FCM Optical Distribution Frame

Slack Storage Solutions

Fiber Storage Disk (FSD) Panel

The fiber storage disk (FSD) panel for rear load* frames includes 8-inch rear doors and rear cable management. Panel includes 48 storage disk assemblies, front cover and designation labels. Each panel accommodates 48 separate patch cords (one per disk) and stores three to four meters of 2.0 mm fiber per disk. To maximize the termination density on the frame, ADC recommends that fiber optic terminal (FOT) jumper slack be stored at the FOT frame. See page 66 for storage panel solutions. ADC also recommends use of an interbay management panel to store cross-connect patch cord slack. See page 65 to order.



FSD Panel
(E-501-L17 Shown)

Ordering Information

Description	Dimensions (HxWxD)	Catalog Number
48-position fiber storage disk panel for rear load frames	203 mm x 620 mm x 305 mm (8" x 24.4" x 12")	E-501-L17

ADC recommends storage be provided at the FOT for equipment jumpers used in cross-connect applications. See page 66.

*Legacy front load panels and accessories remain available. Please contact ADC Technical Assistance Center for ordering information.

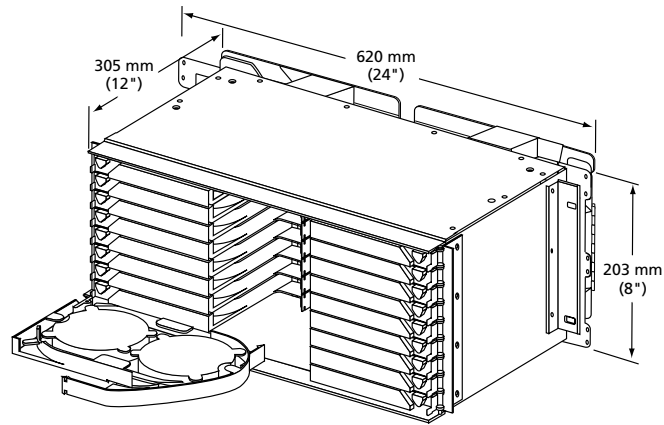


8-Inch FCM Optical Distribution Frame

Slack Storage Solutions

Cable Management Tray (CMT) Storage Panel

The CMT storage panel includes 8-inch rear doors* and rear cable management. CMT's are hinged to chassis and swing outward toward to the front. Fibers are routed into and out of the entry point near the hinge. Each CMT holds up to two patch cords, with a total capacity of eight to ten meters of 2.0 mm fiber. A designation strip is attached to the front and is used to identify contents of each tray. To maximize the termination density on the frame, ADC recommends that fiber optic terminal (FOT) jumper slack be stored at the FOT frame. See page 66 for storage panel solutions. ADC also recommends use of an interbay management panel to store cross-connect patch cord slack. See page 65 to order.



CMT Storage Panel
(E-501-L16 Shown)

Ordering Information

Description	Dimensions (HxWxD)	Catalog Number
Cable management tray storage panel with 18 cable management trays and 8" rear door, for rear load frames*	203 mm x 620 mm x 305 mm (8" x 24.4" x 12")	E-501-L16

ADC recommends storage be provided at the FOT for equipment jumpers used in cross-connect applications. See page 66.

*Legacy front load panels and accessories remain available. Please contact ADC Technical Assistance Center for ordering information.



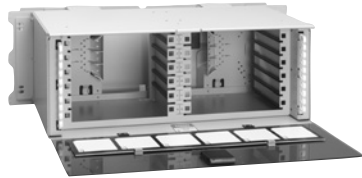
8-Inch FCM Optical Distribution Frame

Value-Added Module (VAM) Chassis

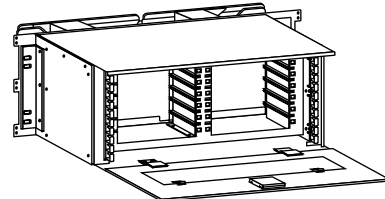
8-Inch FCM Standard VAM Chassis – 12 Single Plug-In Modules

The 8-inch FCM standard VAM chassis fits into any open chassis location and ships with appropriate rear cable management. It accommodates a maximum of either 12 plug-in modules, 12 bulkhead plates, 12 blank panels or any combination thereof. The 8-inch rear load chassis* mounts in EIA or WEKO racks.

Compatible with ADC's rear load frame system only.



Standard VAM Chassis
(Rear Load*)



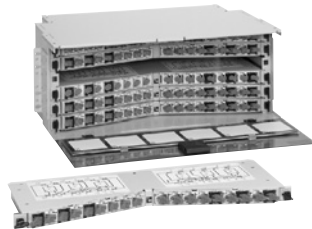
FDF-FCMVAM

Ordering Information

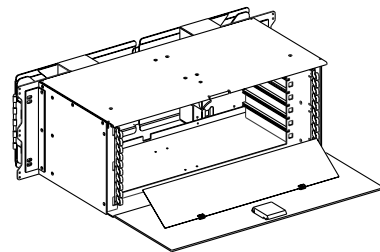
Description	Dimensions (HxWxD)	Catalog Number
8" FCM standard VAM chassis, unloaded; rear cable management and doors attached to module	203 mm x 620 mm x 307 mm (8.0" x 24.4" x 12.1")	FDF-FCMVAM

8-Inch FCM WideVAM® Chassis

ADC's 8-inch WideVAM chassis allows efficient integration of optical components into the frame and provides the utmost protection, modularity and flexibility for all optical component needs. Incorporating 18 front and 10 rear ports, this chassis provides 50 percent more density than the standard FCM VAM chassis.



WideVAM Chassis and Single Module
(Rear Load*)



FDF-FCMWWAM

Ordering Information

Description	Dimensions (HxWxD)	Catalog Number
8" FCM WideVAM chassis, unloaded; accommodates 6 single WideVAM modules	203 mm x 620 mm x 308 mm (8" x 24.4" x 12.1")	FDF-FCMWWAM

Value-Added Module (VAM) System

ADC offers an extensive line of monitor, splitter, WDM and CWDM VAM plug-in modules designed to meet all application needs. Please reference the **Value-Added Module (VAM) System Catalog #101663AE** for details at www.adc.com or contact ADC Customer Service.

*Legacy front load panels and accessories remain available. Please contact ADC Technical Assistance Center for ordering information.

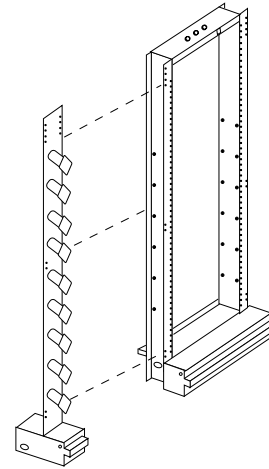


8-Inch FCM Optical Distribution Frame

Frame Accessories

Interbay Management Panel

The interbay management panel (IMP) provides storage between the frames for cross-connect jumpers. IMPs are available for 7-, 9- or 11.5-foot frames. The trough filler insert protects the fiber in the lower trough between the frames. The IMP includes a lower guard box and a 5-inch trough filler insert. In order to provide space for these panels, all frames must be spaced 5-inches apart.



Interbay Management Panel

Ordering Information

Description	Catalog Number
Interbay management panel includes trough filler insert and lower 5" guard box Use with 356 mm (14") trough only	
2.14 m x 127 mm x 305 mm (7' H x 5" W x 12" D)	E-501-L139
2.76 m x 127 mm x 305 mm (9' H x 5" W x 12" D)	E-501-L142
3.51 m x 127 mm x 305 mm (11.5' x 5" W x 12" D)	E-501-L143
Optional covers for interbay management panels	E-501-L409

Optional cover kits are available for 14" lower troughs (see page 70).
For existing lineups with 6", 8" or 16" lower cable troughs, call ADC Technical Assistance Center.



8-Inch FCM Optical Distribution Frame

Frame Accessories

Fiber Optic Terminal Jumper Storage Panel (Rear Facing)

The fiber optic terminal jumper storage panel provides cable management and service loop storage of fiber optic patch cords typically routed between an FCM and fiber optic terminal equipment. The kit contains one storage panel with spools and mounting hardware to secure the panel to the frame. The panel can be installed in existing lineups and mounts on either side of the FCM frame. It attaches easily to 7-, 9- or 11.5-foot frames. ADC recommends storing excess patch cord slack at the FOT to distribute the slack to multiple locations throughout the central office/headend. The fiber optic terminal storage panel cannot be mounted onto the frame if any cable clamps are present on that side of the frame. **Contact ADC Technical Assistance Center to determine the optimal storage for your application.**



Ordering Information

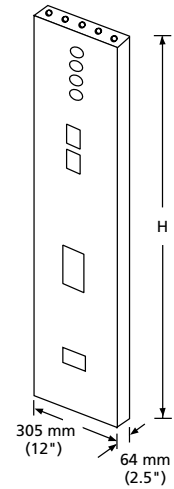
Description	Catalog Number
Fiber optic terminal jumper storage panel (rear facing) Includes one storage panel, with spools and mounting hardware	FDF-RFSP

End Guard

End guards provide protection and a finished appearance at the start and end of frame lineups. They attach to either a frame or an interbay management panel. End guards serve as a mounting place for outlets and switches and are used interchangeable for either left or right applications.

Ordering Information

Description	Catalog Number
End guard Mounts on IMP or network style frame	
2.14 m x 64 mm x 305 mm (7' H x 2.5" W x 12" D)	UEGP-7PW
2.76 m x 64 mm x 305 mm (9' H x 2.5" W x 12" D)	UEGP-9PW
3.51 m x 64 mm x 305 mm (11.5' H x 2.5" W x 12" D)	UEGP-115PW



End Guard



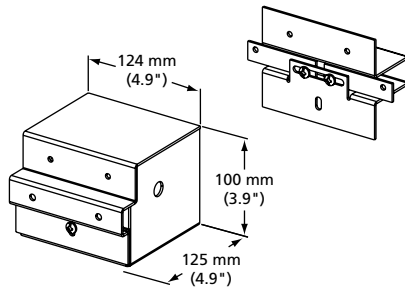
8-Inch FCM Optical Distribution Frame

Frame Accessories

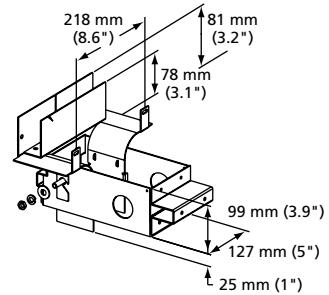
Guard Box (Underfloor)

Ordering Information

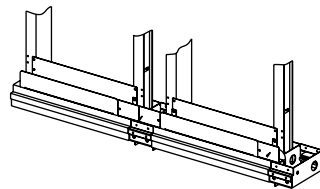
Description	Dimensions (HxWxD)	Catalog Number
Underfloor guard box Rear access only. Used for routing OSP or IFC cable or patch cords from under floor to the rear of the frame.	100 mm x 125 mm x 125 mm (3.9" x 4.9" x 4.9")	FDF-ACC139
Front and rear access. Used for routing OSP, IFC or patch cords from under floor to the rear of the frame and patch cords from under floor to the front of the frame.	179 mm x 218 mm x 127 mm (7.1" x 8.6" x 5")	FDF-ACC152



Rear Access Underfloor Guard Box
(Front View)
FDF-ACC139



Front/Rear Access Underfloor Guard Box
(Rear View)
FDF-ACC152



**Shown Installed Between Network Frames
and at End of a Lineup**
(Front View)
FDF-ACC152

5/07 • 103742AE Optical Distribution Frames

Traditional Frame Solutions

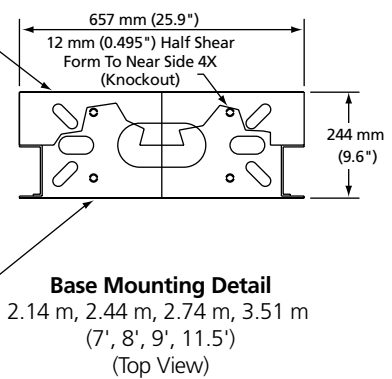
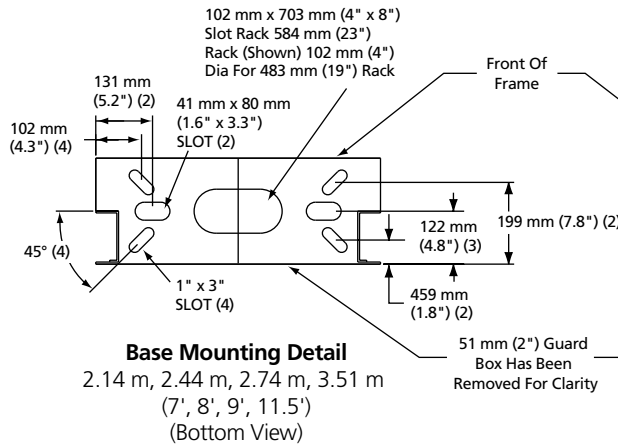
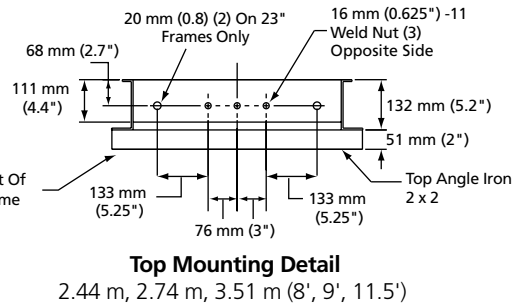
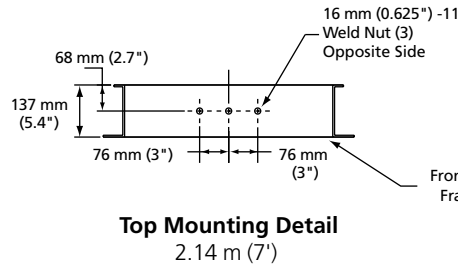


8-Inch FCM Optical Distribution Frame

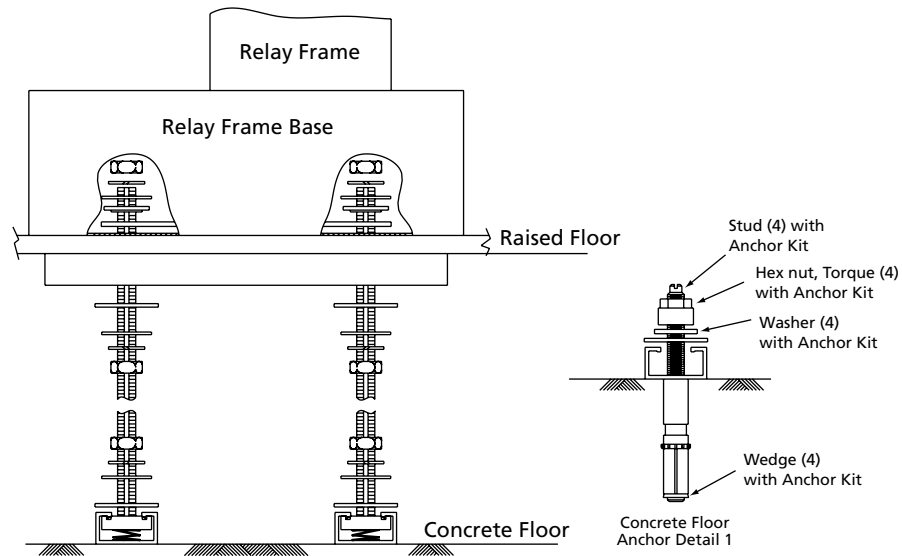
Frame Accessories

Frame Installation Kit

5/07 • 103742AE Optical Distribution Frames



Network Type Unequal Flange Frame Mounting Details



Ordering information follows on the next page.



8-Inch FCM Optical Distribution Frame

Frame Accessories

Frame Installation Kit

Frame installation kits may be used on network frames and are seismic zone 4 rated.

Ordering Information

Description	Catalog Number
Frame installation kit for 2.14 m (7') frames, includes; <ul style="list-style-type: none"> - (1) floor mounting kit - (1) top attachment kit for 2.14 m (7') frames - (12) frame tie brackets kits - (1) frame ground kit for 2.14 m (7') frames 	RINST-DSX7-PW
Frame installation kit for 2.74 m (9') and 3.51 m (11.5') frames, includes; <ul style="list-style-type: none"> - (1) floor mounting kit - (1) top attachment kit for 2.74 m (9') and 3.51 m (11.5') frames - (22) frame tie brackets kits - (1) frame ground kit for 2.74 m (9') and 3.51 m (11.5') frames 	RINST-DSX9-PW
Universal anchor kit, for all UEF frames includes; <ul style="list-style-type: none"> - (4) anchor assemblies - (2) universal hold down bars - (8) anchor plate washers - (8) shim plates 2 mm (0.063") - (4) shim plates 3 mm (0.125") 	RINST-FLR
Isolation pad accommodates; <ul style="list-style-type: none"> - (1) UEF 23" network frame - (2) end guards - (2) interbay management panels 	FDF-ISOTEMPLATE



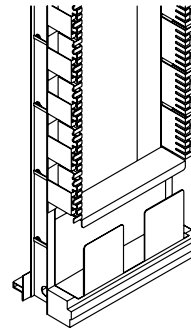
8-Inch FCM Optical Distribution Frame

Frame Accessories

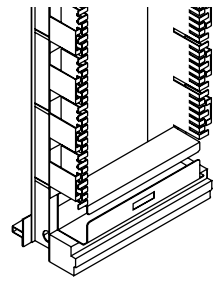
Horizontal Cable Trough

Lower horizontal cable troughs are always included with fiber frames. They can be purchased separately for special applications.

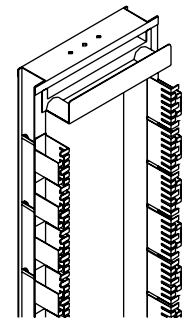
The upper cable trough is not a standard part of the frame. It should be used in applications in which patch cords need to be brought from the front of the frame to the rear. The upper cable trough is putty white and mounts at the top of the frame. Bend radius limiters are provided on the edges of the trough to maintain minimum bend radius requirements.



**356 mm (14")
Lower Cable Trough**
(E-501-L136 Shown)



**152 mm (6")
Lower Cable Trough**
(E-501-L73 Shown)



**102 mm (4")
Upper Cable Trough**
(E-501-L514 Shown)

Ordering Information

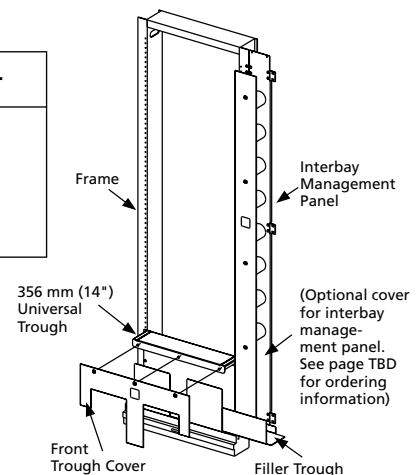
Description	Catalog Number
Lower horizontal cable trough	
152 mm x 584 mm x 127 mm (6" H x 23" W x 5" D)	E-501-L73
203 mm x 584 mm x 127 mm (8" H x 23" W x 5" D)	FDF-ACC-LHCT
336 mm x 584 mm x 127 mm (14" H x 23" W x 5" D)	E-501-L136
406 mm x 584 mm x 127 mm (16" H x 23" W x 5" D)	FDF-ACC-LDCT
Upper horizontal cable trough with pass through capability	
102 mm x 584 mm x 127 mm (4" H x 23" W x 10" D)	E-501-L514

Cover Kit for Lower Horizontal Cable Trough

Cover kit offers added protection for patch cords within the lower trough during normal central office use.

Ordering Information

Description	Catalog Number
Cover for 356 mm (14") lower horizontal cable trough; requires modified lower horizontal cable troughs for 203 mm x 584 mm (8" x 23") mounting systems	FDF-ACC167



Cover Kit



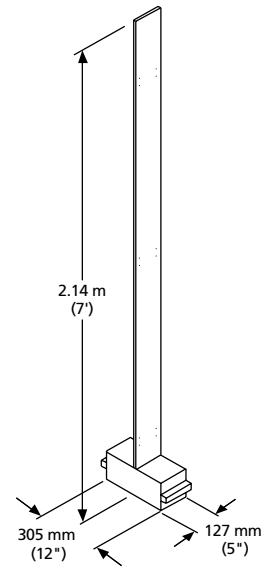
8-Inch FCM Optical Distribution Frame

Frame Accessories

Frame Filler Plate

Frame filler plates are recommended for use between the splice frame and adjacent frames or end guards. The frame filler plates are putty white and come with a guard box.

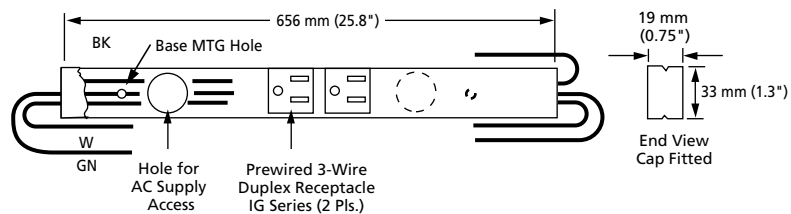
Ordering Information	
Description	Catalog Number
Frame filler plates; putty white, with guard box 2.14 m x 127 mm x 305 mm (7' H x 5" W x 12" D)	7RFP-5NPW
2.76 m x 127 mm x 305 mm (9' H x 5" W x 12" D)	9RFP-5NPW
3.51 m x 127 mm x 305 mm (11.5' H x 5" W x 12" D)	115RFP-5NPW



Frame Filler Plate

AC Outlet Kit and Raceway

The AC outlet kit provides the hardware for mounting AC power outlets on the frame. Each kit includes a prewired AC power outlet strip that mounts at the bottom of the frame. Raceways for routing the power wires to the outlet strip are also available.



AC Outlet Kit

Ordering Information	
Description	Catalog Number
AC outlet kit	ACOK-PWNB
AC raceway 656 mm (25.8") – used for frames which do not require AC power 127 mm (5") – used with AC outlet kit when frames are spaced 127 mm (5")	ACB-PWNB AC-PWNB-RS5*

* This raceway must be ordered with each interbay management panel when an AC outlet is ordered.

5/07 • 103742AE Optical Distribution Frames

Traditional Frame Solutions

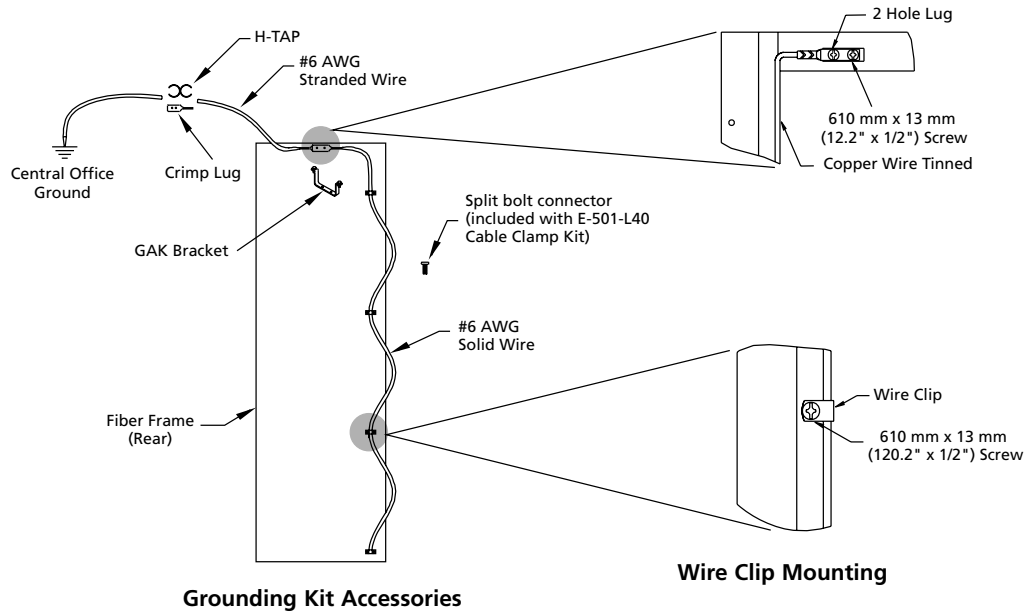


8-Inch FCM Optical Distribution Frame

Frame Accessories

Grounding Kit

The fiber distribution frame is equipped with a grounding kit designed with mechanical (clamps, straps, connectors) fittings. Order this kit only if you are building a frame using your own frame. When connecting frame ground to office ground conductor, an H-TAP bonding kit should also be ordered.



Grounding Kit Accessories

Wire Clip Mounting

Grounding kit includes:

- 2 hole terminal lug 1 each
- #6 AWG copper tinned wire 13'
- Wire clips 8 each
- #12-24 x 1/2" screws 10 each

H-TAP bonding kit includes:

- H-TAP 1 each
- H-TAP insulated cover 1 each
- 2 hole terminal lug, crimp 3 each
- Terminal lug, screw 4 each
- #6 AWG stranded insulated wire 2'
- Star washer 6 each
- No-ox grease 1 tube

GAK grounding kit includes:

- Bracket 1 each
- Clamping bolt 2 each
- Nut 2 each
- Screw 10 each
- Wire Clip 8 each
- #6 AWG solid copper tinned wire 13'

Ordering Information

Description	Catalog Number
Grounding kit	E-501-L37*
H-TAP bonding kit	E-501-L166
GAK grounding kit	GAK

* Included with ADC's 8-inch FCM fiber frame



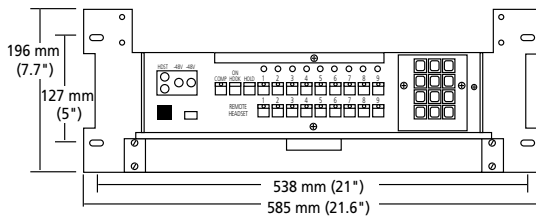
8-Inch FCM Optical Distribution Frame

Frame Accessories

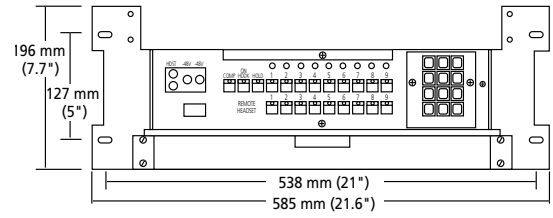
Communications Panel

The COMP-21 communications panel features soft touch key access to nine dial lines (POTS or 1A2 Key Telephone) or seven dial lines and any combination of two office intercom and signal lines along with hold, conference and on-hook features. (The hold feature only functions with 1A2 key telephone.)

In addition to the features on the COMP-21, the COMP-11 is equipped with a remote head-set jack circuit. This panel has nine soft touch keys that permit the remote headset jacks to be connected to any telephone line key position while allowing the panel to be free for use on other telephone or intercom lines.



COMP-11 Communications Panel with Remote Headset Jack Circuit and Retractable Writing Shelf



COMP-21 Communications Panel with Retractable Writing Shelf

Ordering Information

Description	Catalog Number
COMP-11 communications panel; includes mounting brackets and remote head set jack With retractable writing shelf	E-501-L140
Without retractable writing shelf	E-501-L175
COMP-21 communications panel; includes mounting brackets With retractable writing shelf	E-501-L141
Without retractable writing shelf	E-501-L123
Headset with 3.66 m (12') coil cord	COMP-HDS
Handset with communications cord	COMP-HNSKIT
Handset with holder	COMP-HNR-P
Rear 203 mm (8") doors and fanning triangles – used when communications panel is mounted in rear load frame	FDF-ACC050

Headsets and a handset holder are not provided with the communication panels and must be ordered separately. For information on daisy-chaining communications panels contact ADC Technical Assistance Center.



8-Inch FCM Optical Distribution Frame

Panel Accessories

Vertical Cable Guide (VCG) Kit

There are times when a single panel must be mounted in a frame without a cable management system. An individual 8-inch VCG kit is available to mount FCM panels into a network style or unequal flange 23-inch frame.

Ordering Information

Description	Catalog Number
VCG kit Contains two 203 mm (8") front vertical cable guides and screws for mounting the rear load FCM into a frame	FDF-ACC145

Blank Panel

The blank panel occupies one panel space in either a front load or rear load frame.

Ordering Information

Description	Catalog Number
Blank panel, 203 mm (8") H	E-501-L39

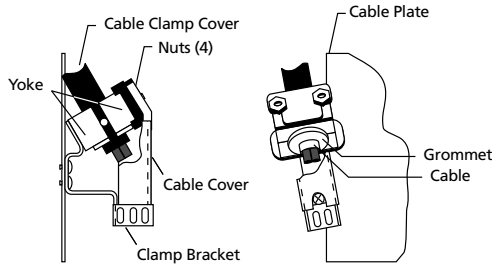


8-Inch FCM Optical Distribution Frame

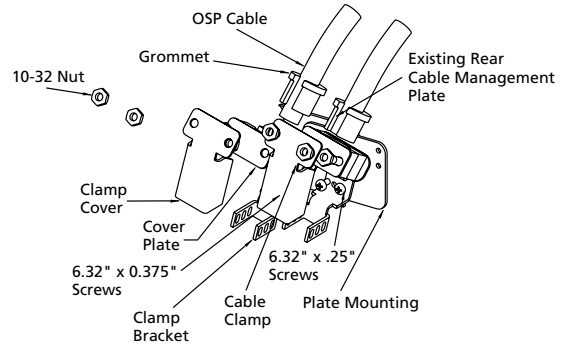
Panel Accessories

Cable Clamp Kit and Dual Cable Clamp Plate Kit

The cable clamp kits provide a means of securing the end of an outside plant (OSP) or intrafacility cable (IFC) to the cable plate. Cable diameters must be between 10 mm to 31 mm (0.4 to 1.2-inch). Additional components are included with the OSP clamp kit for grounding metallic parts of the cable such as metallic strength members or metallic sheaths.



Cable Clamp Kit



Dual Cable Clamp Plate Kit

Ordering Information

Description	Cable Outer Diameter Supported	Catalog Number
8" FCM cable clamp kit for IFC and OSP cable	10 mm – 31 mm (0.4" – 1.2")	E-501-L40
8" FCM dual cable clamp plate kit doubles the number of clamping positions on the frame from 32 to 64; <i>kit includes plate only</i>		E-501-L41

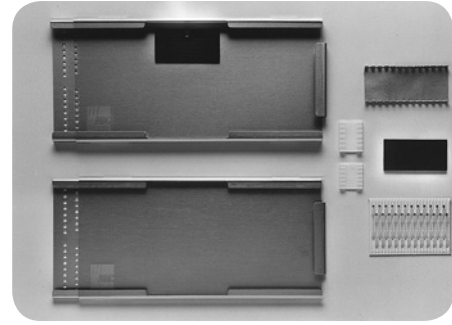


8-Inch FCM Optical Distribution Frame

Panel Accessories

Assembled Splice Tray and Chip

Each 8-inch FCM splice panel has eight splice drawers capable of holding up to two single 12-position splice trays or one dual 24-position splice tray for a total of 192 fibers when splicing individual fibers or 384 fibers when performing mass fusion splicing with ribbon fibers.



Single and Dual Splice Trays

Ordering Information

Description	Number of Splices per Tray	Number of Splice Trays per Drawer	Splice Panel Capacity	Catalog Number
12-position splice tray single height Bare fusion	12	2	192	FST-FT
Heat shrink (single fiber fusion)	12	2	192	FST-HS
Mechanical (mass fusion)	12	2	192	FST-MT
24-position splice tray dual height Bare fusion	24	1	192	FST-D-FT
Heat shrink (single fiber fusion)	24	1	192	FST-D-HS
Mechanical (mass fusion)	24	1	192	FST-D-MT



8-Inch FCM Optical Distribution Frame

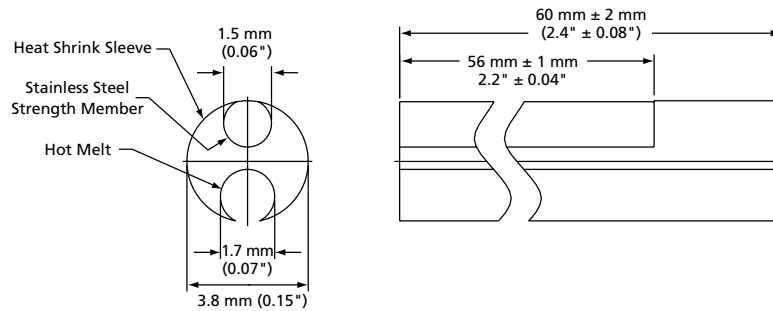
Panel Accessories

Splice Protector Sleeve

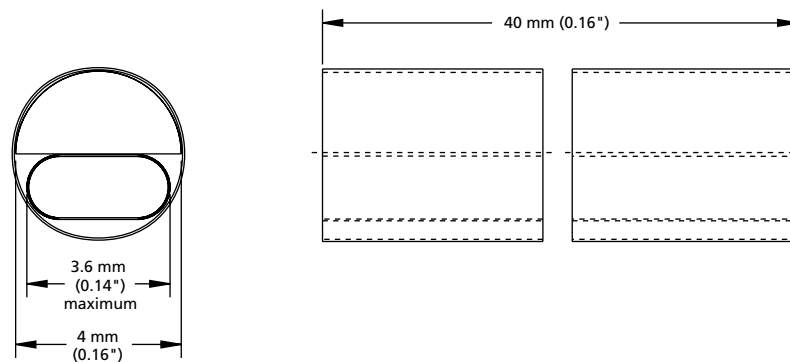
The splice protector sleeve is constructed to protect a splice after fusion. It is made from heat shrinkable material and contains a built-in strength member for physical protection of the fusion splice. The splice protector sleeve is placed on the fiber before making a splice, moved over the splice when the splice fusion is complete and shrunk into place. They are available in either single fusion or mass fusion sleeves.

Ordering Information

Description	Catalog Number
Splice protector sleeve for Single fiber – single fusion; 60 mm (2.4") length, 1 each	FST-ACC001
Single fiber – single fusion; 40 mm (1.6") length, 1 each	FST-ACC005
12-fiber ribbon – mass fusion – heat shrink; 40 mm (1.6") length, 1 each	FST-ACC006



Single Fusion Splice Protector Sleeve
(FST-ACC001 Shown)



Mass Fusion Splice Protector Sleeve
(FST-ACC006 Shown)



8-Inch FCM Optical Distribution Frame

Frame Accessories

Standard Cross-Connect Patch Cord Lengths

Number of Frames	Approximate Patch Cord Length Meters (Feet)
1	5 m (16.4')
2	6 m (19.7')
3	6 m (19.7')
4	7 m (23')
5	8 m (26.2')
6	9 m (29.5')

For recommended cross-connect methods, refer to FCM user manual ADCP-90-140.
For installation instructions for the 8-inch FCM, refer to user manual ADCP-90-113.

Ordering Information for Patch Cords and Attenuators

ADC offers a comprehensive line of cable assembly and accessory products including patch cords, IFC assemblies, attenuators, FasTerm® connectors and adapters to meet the demanding needs of today's network. Please refer to the **Fiber Cable Assemblies Catalog #102880AE** at www.adc.com for more detailed information. For your convenience, ordering information for patch cords and attenuators can also be found on pages 122–127.